

Selectronic® Commercial Systems, Flush Valves and Touchless Faucets

Effective April 1, 2023



Commercial Systems





Commercial Toilet and Urinal Systems

Powerful Things Happen...

When your flush valve and toilet are designed together.

Engineered systems from American Standard combine fixtures and flush valves that were designed together to deliver superior performance while using less water. They are backed by an extended 5-year warranty.

1.1 gpf/4.2 Lpf High Efficiency

Afwall® Millennium® and Madera™ Toilet Systems

- 31% water savings when compared to standard 1.6 gpf/6.0 Lpf toilets
- 14% water savings when compared to 1.28 gpf/4.8 Lpf toilets
- Maximum MaP Score: 1,000 grams of miso at 1.1 – 1.6 gpf (4.2 – 6.0 Lpf)
- Self-cleaning piston valve with DynaClean® integral wiper spring helps prevent clogging and reduces maintenance
- Available with DC (Battery) or Manual Flush Valves
- All toilets available with EverClean® Antimicrobial Surface



0.125 gpf/0.5 Lpf High Efficiency Urinal Systems

- 87.5% water savings when compared to standard 1.0 gpf/3.8 Lpf urinals
- Superior dilution of urine minimizes odor
- Self-cleaning piston valve with DynaClean integral wiper spring helps prevent clogging and reduces maintenance
- Flow regulator on the flush valve outlet maintains constant flush volume regardless of inlet pressure
- DC (Battery) or Manual Flush Valves are available



For more information on American Standard Brands, please visit our website at www.americanstandard.com or call 1-800-442-1902.

Commercial Toilet Systems

TOILET SYSTEMS WITH SELECTRONIC® PISTON FLUSH VALVES



Product Number	Product Description	List Price
3351511.020	Afwall® Millennium® Wall-Hung EverClean® Toilet System With Touchless Selectronic® Piston Flush Valve, 1.1 gpf/4.2 Lpf	700
3351528.020	Afwall® Millennium® Wall-Hung EverClean® Toilet System With Touchless Selectronic® Piston Flush Valve, 1.28 gpf/4.8 Lpf	700
3351660.020	Afwall® Millennium® Wall-Hung EverClean® Toilet System With Touchless Selectronic® Piston Flush Valve, 1.6 gpf/6.0 Lpf	700
3351576.020	Afwall® Millennium® Wall-Hung EverClean® Toilet System With Touchless Selectronic® Piston Flush Valve, DF 1.6/1.1 gpf (6.0/4.2 Lpf)	700
2257511.020	Afwall® Millennium® Wall-Hung Toilet System With Touchless Selectronic® Piston Flush Valve, 1.1 gpf/4.2 Lpf	671
2257528.020	Afwall® Millennium® Wall-Hung Toilet System With Touchless Selectronic® Piston Flush Valve, 1.28 gpf/4.8 Lpf	671
2257660.020	Afwall® Millennium® Wall-Hung Toilet System With Touchless Selectronic® Piston Flush Valve, 1.6 gpf/6.0 Lpf	671
3451511.020	Madera™ 15-Inch EverClean® Toilet System With Touchless Selectronic® Piston Flush Valve, 1.1 gpf/4.2 Lpf	720
3451528.020	Madera™ 15-Inch EverClean® Toilet System With Touchless Selectronic® Piston Flush Valve, 1.28 gpf/4.8 Lpf	700
3451660.020	Madera™ 15-Inch EverClean® Toilet System With Touchless Selectronic® Piston Flush Valve, 1.6 gpf/6.0 Lpf	700
3451576.020	Madera™ 15-Inch EverClean® Toilet System With Touchless Selectronic® Piston Flush Valve, DF 1.6 / 1.1 gpf (6.0/4.2 Lpf)	700
	Madera™ 15-Inch Toilet System With Touchless Selectronic® Piston Flush Valve, 1.1 gpf/4.2 Lpf	687
2234528.020	Madera™ 15-Inch Toilet System With Touchless Selectronic® Piston Flush Valve, 1.28 gpf/4.8 Lpf	671
2234660.020	Madera™ 15-Inch Toilet System With Touchless Selectronic® Piston Flush Valve, 1.6 gpf/6.0 Lpf	671
3461511.020	Madera™ Chair Height EverClean® Toilet System With Touchless Selectronic® Piston Flush Valve, 1.1 gpf/4.2 Lpf	747
3461528.020	Madera™ Chair Height EverClean® Toilet System With Touchless Selectronic® Piston Flush Valve, 1.28 gpf/4.8 Lpf	733
3461660.020	Madera™ Chair Height EverClean® Toilet System With Touchless Selectronic® Piston Flush Valve, 1.6 gpf/6.0 Lpf	733
3461576.020	Madera™ Chair Height EverClean® Toilet System With Touchless Selectronic® Piston Flush Valve, DF 1.6/1.1 gpf (6.0/4.2 Lpf)	733
3043511.020	Madera™ Chair Height Toilet System With Touchless Selectronic® Piston Flush Valve, 1.1 gpf/4.2 Lpf	722
3043528.020	Madera™ Chair Height Toilet System With Touchless Selectronic® Piston Flush Valve, 1.28 gpf/4.8 Lpf	692
3043660.020	Madera™ Chair Height Toilet System With Touchless Selectronic® Piston Flush Valve, 1.6 gpf/6.0 Lpf	703

Commercial Toilet Systems

TOILET SYSTEMS WITH MANUAL PISTON FLUSH VALVES



Product Number	Product Description	List Price
2856111.020	Afwall® Millennium® Wall-Hung EverClean® Toilet System With Manual Piston Flush Valve, 1.1 gpf/4.2 Lpf	379
2856128.020	Afwall® Millennium® Wall-Hung EverClean® Toilet System With Manual Piston Flush Valve, 1.28 gpf/4.8 Lpf	336
2856016.020	Afwall® Millennium® Wall-Hung EverClean® Toilet System With Manual Piston Flush Valve, 1.6 gpf/6.0 Lpf	336
2859111.020	Afwall® Millennium® Wall-Hung Toilet System With Manual Piston Flush Valve, 1.1 gpf/4.2 Lpf	372
2859128.020	Afwall® Millennium® Wall-Hung Toilet System With Manual Piston Flush Valve, 1.28 gpf/4.8 Lpf	307
2859016.020	Afwall® Millennium® Wall-Hung Toilet System With Manual Piston Flush Valve, 1.6 gpf/6.0 Lpf	307
2855111.020	Madera™ 15-Inch EverClean® Toilet System With Manual Piston Flush Valve, 1.1 gpf/4.2 Lpf	378
2855128.020	Madera™ 15-Inch EverClean® Toilet System With Manual Piston Flush Valve, 1.28 gpf/4.8 Lpf	337
2855016.020	Madera™ 15-Inch EverClean® Toilet System With Manual Piston Flush Valve, 1.6 gpf/6.0 Lpf	337
2858111.020	Madera™ 15-Inch Toilet System With Manual Piston Flush Valve, 1.1 gpf/4.2 Lpf	372
2858128.020	Madera™ 15-Inch Toilet System With Manual Piston Flush Valve, 1.28 gpf/4.8 Lpf	307
2858016.020	Madera™ 15-Inch Toilet System With Manual Piston Flush Valve, 1.6 gpf/6.0 Lpf	307
2854111.020	Madera™ Chair Height EverClean® Toilet System With Manual Piston Flush Valve, 1.1 gpf/4.2 Lpf	407
2854128.020	Madera™ Chair Height EverClean® Toilet System With Manual Piston Flush Valve, 1.28 gpf/4.8 Lpf	372
2854016.020	Madera™ Chair Height EverClean® Toilet System With Manual Piston Flush Valve, 1.6 gpf/6.0 Lpf	372
2857111.020	Madera™ Chair Height Toilet System With Manual Piston Flush Valve, 1.1 gpf/4.2 Lpf	381
2857128.020	Madera™ Chair Height Toilet System With Manual Piston Flush Valve, 1.28 gpf/4.8 Lpf	340
2857016.020	Madera™ Chair Height Toilet System With Manual Piston Flush Valve, 1.6 gpf/6.0 Lpf	340

Commercial Urinal Systems

URINAL SYSTEMS WITH SELECTRONIC® PISTON-TYPE FLUSH VALVES



Product Number	Product Description	List Price
6042633.020	Decorum® EverClean® Urinal System With Touchless Selectronic® Piston Flush Valve, 0.125 gpf/0.5 Lpf	764
6002525.020	Pintbrook® Urinal System With Touchless Selectronic® Piston Flush Valve, 0.125 gpf/0.5 Lpf	732
6002505.020	Pintbrook® Urinal System With Touchless Selectronic® Piston Flush Valve, 0.5 gpf/1.9 Lpf	732
6590525.020	Washbrook® Urinal System With Touchless Selectronic® Piston Flush Valve, 0.125 gpf/0.5 Lpf	811
6590505.020	Washbrook® Urinal System With Touchless Selectronic® Piston Flush Valve, 0.5 gpf/1.9 Lpf	807
6501610.020	Washbrook® Urinal System With Touchless Selectronic® Piston Flush Valve, 1.0 gpf/3.8 Lpf	807

URINAL SYSTEMS WITH MANUAL PISTON-TYPE FLUSH VALVES



Product Number	Product Description	List Price
6042453.020	Decorum® EverClean® Urinal System With Manual Piston Flush Valve, 0.125 gpf/0.5 Lpf	378
6002503.020	Pintbrook® Urinal System With Manual Piston Flush Valve, 0.125 gpf/0.5 Lpf	377
6002501.020	Pintbrook® Urinal System With Manual Piston Flush Valve, 0.5 gpf/1.9 Lpf	377
6590503.020	Washbrook® Urinal System with Manual Piston Flush Valve, 0.125 gpf/0.5 Lpf	449
6590501.020	Washbrook® Urinal System with Manual Piston Flush Valve, 0.5 gpf/1.9 Lpf	449
6501511.020	Washbrook® Urinal System with Manual Piston Flush Valve, 1.0 gpf/3.8 Lpf	449

Flush Valves



Commercial Fittings

Ultima® Manual and Selectronic® Diaphragm Flush Valves

DynaClean® Self-Cleaning Technology Helps Prevent Valve Run-On Due to Clogging

Reduce Maintenance and Downtime, Save Water

CLOG-REDUCING TECHNOLOGY AND MORE

These diaphragm flush valves offer a common-sense the all-to-common problem of valve run-on caused by clogging.

SUPERIOR PERFORMANCE AND DURABILITY

These flush valves include our exclusive self-cleaning technology and superior materials to out-perform and out-last traditional diaphragm flush valves.

PROPRIETARY BRASS ALLOY

prevents dezincification

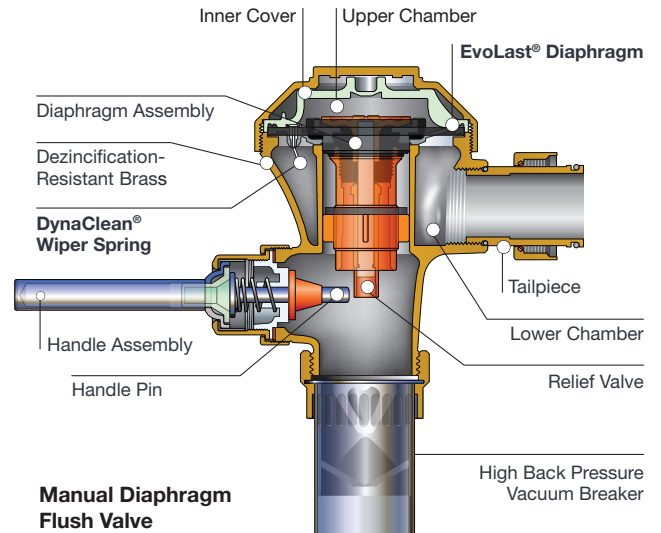
ADA-COMPLIANT non-hold open handle provides automatic shut-off after every flush

HIGH BACK PRESSURE VACUUM BREAKER

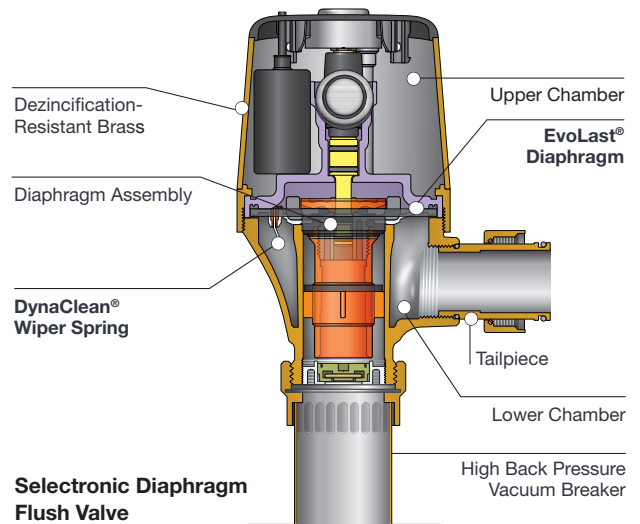
prevents dripping

SWEAT SOLDER KIT included

5-YEAR LIMITED WARRANTY



Manual Diaphragm Flush Valve



Selectronic Diaphragm Flush Valve



DynaClean Wiper Spring

DYNACLEAN, our exclusive, self-cleaning technology, cleans the refill orifice with every flush, and helps prevent valve run-on. The integral wiper spring keeps the orifice clear of debris and mineral build-up for improved performance and less maintenance.

EASY RETROFIT, ENHANCED PERFORMANCE

Ultima Flush Valves are easy to retrofit in place of most popular piston and diaphragm flush valves. The industry standard rough-in dimensions allow for an easy switch.

Ultima Diaphragm Assemblies can be installed in diaphragm flush valves from other major manufacturers, making it easy to improve performance and ensure reliability in existing applications.

EvoLast Diaphragm

EVOLAST, a premium, chlorine-resistant diaphragm material delivers consistent performance and resists premature deterioration and failure.

Commercial Flush Valves

Selectronic® Piston Flush Valves

PWRX® 10-Year Life Battery System reduces the downtime and maintenance costs associated with changing batteries.

Advanced lithium battery and circuitry delivers 10-year battery life

Lasts 2.5 times longer than standard flush valve batteries

Self-cleaning piston reduces clogging and maintenance. DynaClean® wiper spring cleans the refill orifice with every flush to help prevent run-on

Dezincification resistant brass alloy. Resists corrosion in harsh water conditions

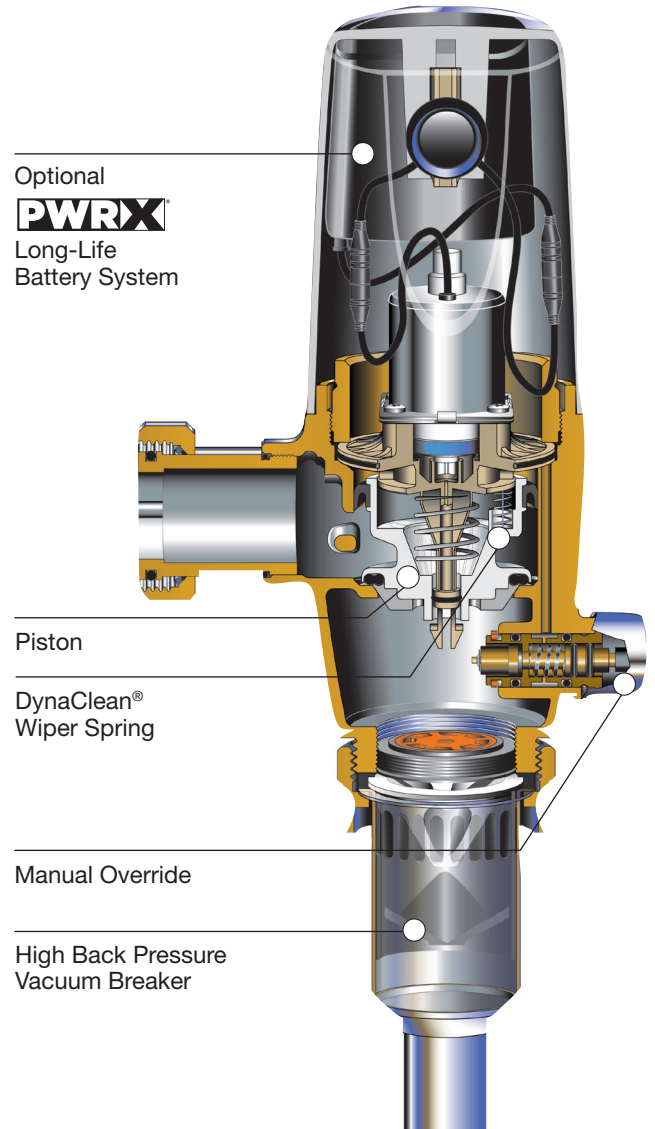
Fully mechanical manual override can flush the valve without power

High Back Pressure Vacuum Breaker prevents leakage from vacuum breaker vents

Chemical-resistant EPDM seals for extended life

5-Year Limited Warranty – including PWRX battery

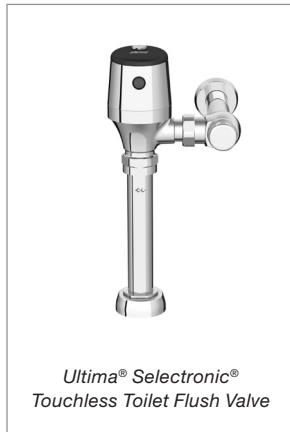
No routine maintenance required. No diaphragm place, no filter screen to clean



For more information on American Standard Brands, please visit our website at www.americanstandard.com or call 1-800-442-1902.

Selectronic® Toilet Flush Valves

SELECTRONIC® TOILET FLUSH VALVES DIAPHRAGM-TYPE



Product Number	Product Description	List Price
6247161.002	Ultima® Selectronic® Exposed Toilet Flush Valve, Diaphragm Type, Battery, 1.6 gpf/6.0 Lpf	582
6247121.002	Ultima® Selectronic® Exposed Toilet Flush Valve, Diaphragm Type, Battery, 1.28 gpf/4.8 Lpf	582
6247111.002	Ultima® Selectronic® Exposed Toilet Flush Valve, Diaphragm Type, Battery, 1.1 gpf/4.2 Lpf	582
6247721.002	Ultima® Selectronic® Exposed Toilet Flush Valve, Diaphragm Type, Battery, Dual Flush 1.28/1.1 gpf (4.8/4.2 Lpf)	582
624B161.002	Ultima® Selectronic® Exposed Toilet Flush Valve, Diaphragm Type, Base Model, 1.6 gpf/6.0 Lpf	642
624B121.002	Ultima® Selectronic® Exposed Toilet Flush Valve, Diaphragm Type, Base Model, 1.28 gpf/4.8 Lpf	642
624B111.002	Ultima® Selectronic® Exposed Toilet Flush Valve, Diaphragm Type, Base Model, 1.1 gpf/4.2 Lpf	642
624B721.002	Ultima® Selectronic® Exposed Toilet Flush Valve, Diaphragm Type, Base Model, Dual Flush 1.28/1.1 gpf (4.8/4.2 Lpf)	642

SENSOR TOILET FLUSH VALVES DIAPHRAGM-TYPE





Product Number	Product Description	List Price
6147SM111.002	Ultima® Touchless Sensor Toilet Flush Valve, Diaphragm-Type, 1.1 gpf/4.2 Lpf	498
6147SM121.002	Ultima® Touchless Sensor Toilet Flush Valve, Diaphragm-Type, 1.28 gpf/4.8 Lpf	498
6147SM122.002	Ultima® Touchless Sensor Toilet Flush Valve, Diaphragm-Type, 1.28 gpf/4.8 Lpf, 27-Inch Rough-In	515
6147SM162.002	Ultima® Touchless Sensor Toilet Flush Valve, Diaphragm-Type, 1.6 gpf/6.0 Lpf, 27-Inch (686 mm) Rough-In	515
6147SM161.002	Ultima® Touchless Sensor Toilet Flush Valve, Diaphragm-Type, 1.6 gpf/6.0 Lpf, 27-inch Rough-In	498

For more information on American Standard Brands, please visit our website at www.americanstandard.com or call 1-800-442-1902.

Selectronic® Toilet Flush Valves

SELECTRONIC® TOILET FLUSH VALVES PISTON-TYPE

	Product Number	Product Description	List Price
 <p><i>Ultima® Selectronic® Touchless Toilet Flush Valve</i></p>	6065111.002	Ultima® Selectronic® Touchless Toilet Flush Valve, Piston-Type, Battery, 1.1 gpf/4.2 Lpf	582
	6065121.002	Ultima® Selectronic® Touchless Toilet Flush Valve, Piston-Type, Battery, 1.28 gpf/4.8 Lpf	582
	6065161.002	Ultima® Selectronic® Touchless Toilet Flush Valve, Piston-Type, Battery, 1.6 gpf/6.0 Lpf	582
	6065721.002	Ultima® Selectronic® Touchless Toilet Flush Valve, Piston-Type, Battery, Dual Flush 1.28/1.1 gpf (4.8/4.2 Lpf)	582
	6065761.002	Ultima® Selectronic® Touchless Toilet Flush Valve, Piston-Type, Battery, Dual Flush 1.6/ 1.1 gpf (6.0/4.2 Lpf)	582
 <p><i>Ultima® Selectronic® Touchless Toilet Flush Valve, Base Model</i></p>	6066111.002	Ultima® Selectronic® Touchless Toilet Flush Valve, Piston-Type, PWRX, 1.1 gpf/4.2 Lpf	690
	6066121.002	Ultima® Selectronic® Touchless Toilet Flush Valve, Piston-Type, PWRX, 1.28 gpf/4.8 Lpf	690
	6066161.002	Ultima® Selectronic® Touchless Toilet Flush Valve, Piston-Type, PWRX, 1.6 gpf/6.0 Lpf	690
	6066721.002	Ultima® Selectronic® Touchless Toilet Flush Valve, Piston-Type, PWRX, Dual Flush 1.28/1.1 gpf (4.8/4.2 Lpf)	690
	6066761.002	Ultima® Selectronic® Touchless Toilet Flush Valve, Piston-Type, PWRX, Dual Flush 1.6/ 1.1 gpf (6.0/4.2 Lpf)	690
	606B111.002	Ultima® Selectronic® Touchless Toilet Flush Valve, Piston-Type, Base Model, 1.1 gpf/4.2 Lpf	547
	606B121.002	Ultima® Selectronic® Touchless Toilet Flush Valve, Piston-Type, Base Model, 1.28 gpf/4.8 Lpf	547
	606B161.002	Ultima® Selectronic® Touchless Toilet Flush Valve, Piston-Type, Base Model, 1.6 gpf/6.0 Lpf	547
	606B721.002	Ultima® Selectronic® Touchless Toilet Piston Flush Valve, Base Model, Dual Flush 1.28/1.1 gpf (4.8/4.2 Lpf)	547
	606B761.002	Ultima® Selectronic® Touchless Toilet Piston Flush Valve, Base Model, Dual Flush 1.6/ 1.1 gpf (6.0/4.2 Lpf)	547

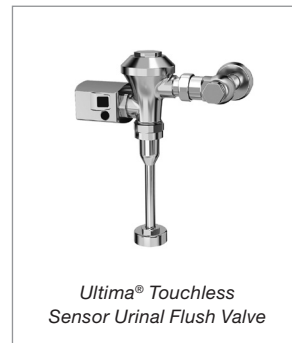
Selectronic® Urinal Flush Valves

SELECTRONIC® URINAL FLUSH VALVES DIAPHRAGM-TYPE



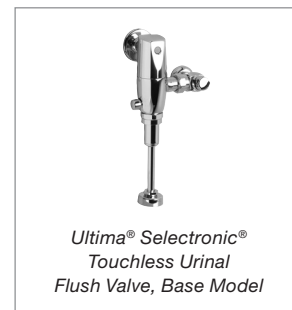
Product Number	Product Description	List Price
6245101.002	Ultima® Selectronic® Exposed Urinal Flush Valve, Diaphragm Type, Battery, 1.0 gpf/3.8 Lpf	582
6245051.002	Ultima® Selectronic® Exposed Urinal Flush Valve, Diaphragm Type, Battery, 0.50 gpf/1.9 Lpf	582
6245013.002	Ultima® Selectronic® Exposed Urinal Flush Valve, Diaphragm Type, Battery, 0.125 gpf/0.5 Lpf	582
624B101.002	Ultima® Selectronic® Exposed Urinal Flush Valve, Diaphragm Type, Base Model, 1.0 gpf/3.8 Lpf	642
624B051.002	Ultima® Selectronic® Exposed Urinal Flush Valve, Diaphragm Type, Base Model, 0.50 gpf/1.9 Lpf	642
624B013.002	Ultima® Selectronic® Exposed Urinal Flush Valve, Diaphragm Type, Base Model, 0.1250 gpf/0.5 Lpf	642

SENSOR URINAL FLUSH VALVES DIAPHRAGM-TYPE

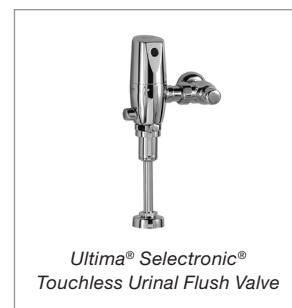


Product Number	Product Description	List Price
6145SM013.002	Ultima® Touchless Sensor Urinal Flush Valve, Diaphragm-Type, 0.125 gpf/0.5 Lpf	498
6145SM051.002	Ultima® Touchless Sensor Urinal Flush Valve, Diaphragm-Type, 0.5 gpf/1.9 Lpf	498
6145SM101.002	Ultima® Touchless Sensor Urinal Flush Valve, Diaphragm-Type, 1.0 gpf/3.8 Lpf	498

SELECTRONIC® URINAL FLUSH VALVES PISTON-TYPE



Product Number	Product Description	List Price
6063013.002	Ultima® Selectronic® Touchless Urinal Flush Valve, Piston-Type, Battery, 0.125 gpf/0.5 Lpf	582
6063051.002	Ultima® Selectronic® Touchless Urinal Flush Valve, Piston-Type, Battery, 0.5 gpf/1.9 Lpf	582
6063101.002	Ultima® Selectronic® Touchless Urinal Flush Valve, Piston-Type, Battery, 1.0 gpf/3.8 Lpf	582
6064013.002	Ultima® Selectronic® Touchless Urinal Flush Valve, Piston-Type, PWRX, 0.125 gpf/0.5 Lpf	661
6064051.002	Ultima® Selectronic® Touchless Urinal Flush Valve, Piston-Type, PWRX, 0.5 gpf/1.9 Lpf	661
6064101.002	Ultima® Selectronic® Touchless Urinal Flush Valve, Piston-Type, PWRX, 1.0 gpf/3.8 Lpf	661
606B013.002	Ultima® Selectronic® Touchless Urinal Flush Valve, Piston-Type, Base Model, 0.125 gpf/0.5 Lpf	547
606B051.002	Ultima® Selectronic® Touchless Urinal Flush Valve, Piston-Type, Base Model, 0.5 gpf/1.9 Lpf	547
606B101.002	Ultima® Selectronic® Touchless Urinal Flush Valve, Piston-Type, Base Model, 1.0 gpf/3.8 Lpf	547



Sensor Faucets



Selectronic® Touchless Faucets

Paradigm® Selectronic Faucets

Paradigm® Touchless Faucets with SmarTherm.

SmarTherm®

SmarTherm® Safety Shut-Off. Integral thermostatic hot water temperature limiter meets ASSE 1070 without a separate thermostatic mixing valve

Clean, Integrated Design

- All electronics contained in faucet spout
- No control box below deck

Easy Installation and Maintenance

- Faucet installs from the top
- All serviceable parts are easily accessible

Flow Rate Options (All vandal-resistant)

- 0.35 and 0.5 gpm multi-laminar spray
- 1.5 gpm laminar flow outlet with adjustable spray face

Above-Deck Mixing

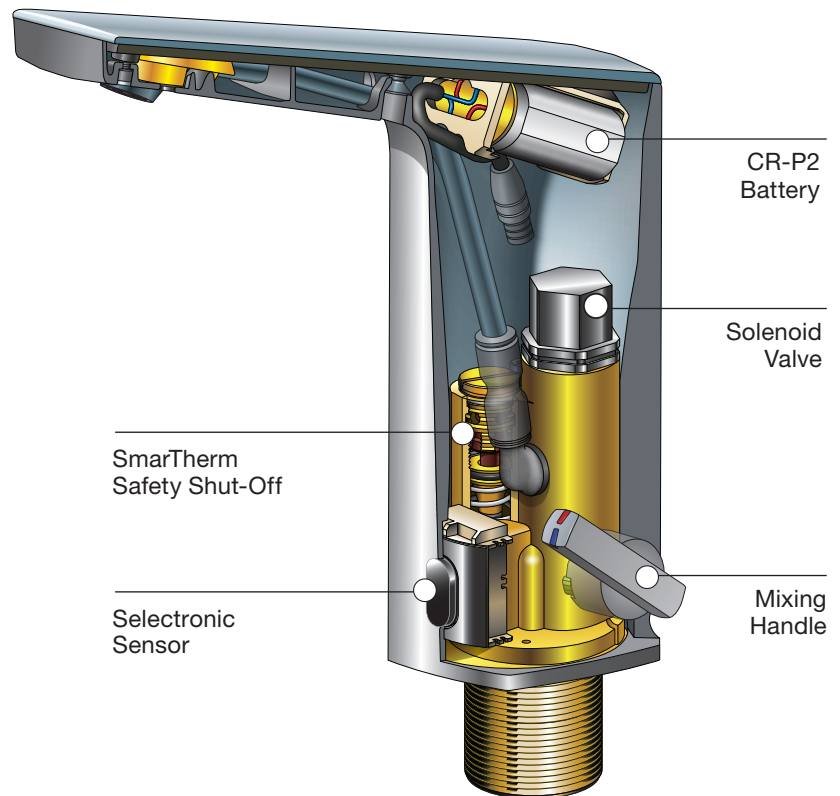
- Allows user to manually adjust temperature
- Adjustable hot limit stop
- Red and blue indicators

Removable Mixing Handle

- Installer can set temperature and remove handle to prevent user adjustment
- Cover plug included

Hygienic, touch-free operation

Flexible Selectronic® Platform with programmable sensor and interchangeable power supplies



For more information on American Standard Brands, please visit our website at www.americanstandard.com or call 1-800-442-1902.

Selectronic® Touchless Faucets

SELECTRONIC® TOUCHLESS FAUCETS

	Product Number	Product Description	List Price
 <p>Innsbrook® Selectronic® Touchless Faucet</p>	605B205.002	Innsbrook® Selectronic® Touchless Faucet, Base Model, 0.5 gpm/1.9 Lpm	516
	6055205.002	Innsbrook® Selectronic® Touchless Faucet, Battery-Powered, 0.5 gpm/1.9 Lpm	553
	605B204.002	Innsbrook® Selectronic® Touchless Metering Faucet, Base Model, 0.35 gpm/1.3 Lpm	516
	6055204.002	Innsbrook® Selectronic® Touchless Metering Faucet, Battery-Powered, 0.35 gpm/1.3 Lpm	553
	250B105.002	Moments® Selectronic® Touchless Faucet, Base Model, 0.5 gpm/1.9 Lpm	677
	2506155.002	Moments® Selectronic® Touchless Faucet, Battery-Powered, 0.5 gpm/1.9 Lpm	715
 <p>Moments® Selectronic® Touchless Faucet</p>	775B203.002	NextGen Selectronic® Touchless Faucet, Base Model With Above-Deck Mixing, 0.35 gpm/1.3 Lpm	447
	775B205.002	NextGen Selectronic® Touchless Faucet, Base Model With Above-Deck Mixing, 0.5 gpm/1.9 Lpm	447
	775B103.002	NextGen Selectronic® Touchless Faucet, Base Model, 0.35 gpm/1.3 Lpm	415
	775B105.002	NextGen Selectronic® Touchless Faucet, Base Model, 0.5 gpm/1.9 Lpm	415
	7755203.002	NextGen Selectronic® Touchless Faucet, Battery-Powered With Above-Deck Mixing, 0.35 gpm/1.3 Lpm	496
	7755205.002	NextGen Selectronic® Touchless Faucet, Battery-Powered With Above-Deck Mixing, 0.5 gpm/1.9 Lpm	496
 <p>NextGen Selectronic® Touchless Faucet Above-Deck Mixing</p>	7755215.002	NextGen Selectronic® Touchless Faucet, Battery-Powered With Above-Deck Mixing, 1.5 gpm/5.7 Lpm	496
	7755303.002	NextGen Selectronic® Touchless Faucet, Battery-Powered With SmarTherm Safety Shut-Off + ADM, 0.35 gpm/1.3 Lpm	613
	7755305.002	NextGen Selectronic® Touchless Faucet, Battery-Powered With SmarTherm Safety Shut-Off + ADM, 0.5 gpm/1.9 Lpm	613
	7755315.002	NextGen Selectronic® Touchless Faucet, Battery-Powered With SmarTherm Safety Shut-Off + ADM, 1.5 gpm/5.7 Lpm	613
	7755103.002	NextGen Selectronic® Touchless Faucet, Battery-Powered, 0.35 gpm/1.3 Lpm	465
	7755105.002	NextGen Selectronic® Touchless Faucet, Battery-Powered, 0.5 gpm/1.9 Lpm	465
 <p>NextGen Selectronic® Touchless Faucet Base Model</p>	7755115.002	NextGen Selectronic® Touchless Faucet, Battery-Powered, 1.5 gpm/5.7 Lpm	465
	702B203.002	Paradigm® Selectronic® Touchless Faucet, Base Model With Above-Deck Mixing, 0.35 gpm/1.3 Lpm	468

Selectronic® Touchless Faucets

SELECTRONIC® TOUCHLESS FAUCETS (continued)

	Product Number	Product Description	List Price
 <p><i>Paradigm® Selectronic® Touchless Faucet Above-Deck Mixing</i></p>	702B205.002	Paradigm® Selectronic® Touchless Faucet, Base Model With Above-Deck Mixing, 0.5 gpm/1.9 Lpm	468
	702B303.002	Paradigm® Selectronic® Touchless Faucet, Base Model With SmarTherm Safety Shut-Off + ADM, 0.35 gpm/1.3 Lpm	579
	702B305.002	Paradigm® Selectronic® Touchless Faucet, Base Model With SmarTherm Safety Shut-Off + ADM, 0.5 gpm/1.9 Lpm	579
	702B103.002	Paradigm® Selectronic® Touchless Faucet, Base Model, 0.35 gpm/1.3 Lpm	436
	702B105.002	Paradigm® Selectronic® Touchless Faucet, Base Model, 0.5 gpm/1.9 Lpm	436
	7025203.002	Paradigm® Selectronic® Touchless Faucet, Battery-Powered With Above-Deck Mixing, 0.35 gpm/1.3 Lpm	468
 <p><i>Paradigm® Selectronic® Touchless Faucet Base Model</i></p>	7025205.002	Paradigm® Selectronic® Touchless Faucet, Battery-Powered With Above-Deck Mixing, 0.5 gpm/1.9 Lpm	518
	7025303.002	Paradigm® Selectronic® Touchless Faucet, Battery-Powered With SmarTherm Safety Shut-Off + ADM, 0.35 gpm/1.3 Lpm	627
	7025305.002	Paradigm® Selectronic® Touchless Faucet, Battery-Powered With SmarTherm Safety Shut-Off + ADM, 0.5 gpm/1.9 Lpm	627
	7025315.002	Paradigm® Selectronic® Touchless Faucet, Battery-Powered With SmarTherm Safety Shut-Off + ADM, 1.5 gpm/5.7 Lpm	627
	7025103.002	Paradigm® Selectronic® Touchless Faucet, Battery-Powered, 0.35 gpm/1.3 Lpm	510
 <p><i>Selectronic® Cast Touchless Faucet</i></p>	7025105.002	Paradigm® Selectronic® Touchless Faucet, Battery-Powered, 0.5 gpm/1.9 Lpm	489
	605B105.002	Selectronic® Cast Touchless Faucet, Base Model, 0.5 gpm/1.9 Lpm	523
	6055105.002	Selectronic® Cast Touchless Faucet, Battery-Powered, 0.5 gpm/1.9 Lpm	559
	605B104.002	Selectronic® Cast Touchless Metering Faucet, Base Model, 0.35 gpm/1.3 Lpm	523
	6055104.002	Selectronic® Cast Touchless Metering Faucet, Battery-Powered, 0.35 gpm/1.3 Lpm	559
	605B165.002	Selectronic® Gooseneck Touchless Faucet, Base Model, 0.5 gpm/1.9 Lpm	587
 <p><i>Selectronic® Gooseneck Touchless Faucet Base Model</i></p>	6055165.002	Selectronic® Gooseneck Touchless Faucet, Battery-Powered, 0.5 gpm/1.9 Lpm	625
	605B164.002	Selectronic® Gooseneck Touchless Metering Faucet, Base Model, 0.35 gpm/1.3 Lpm	587
	6055164.002	Selectronic® Gooseneck Touchless Metering Faucet, Battery-Powered, 0.35 gpm/1.3 Lpm	625
	605B193.002	Selectronic® IC Touchless Faucet, Base Model, 1.5 gpm/5.7 Lpm Laminar Flow in Base	596
	6055193.002	Selectronic® IC Touchless Faucet, Battery-Powered, 1.5 gpm/5.7 Lpm Laminar Flow in Base	635

*American
Standard*

PART OF LIXIL